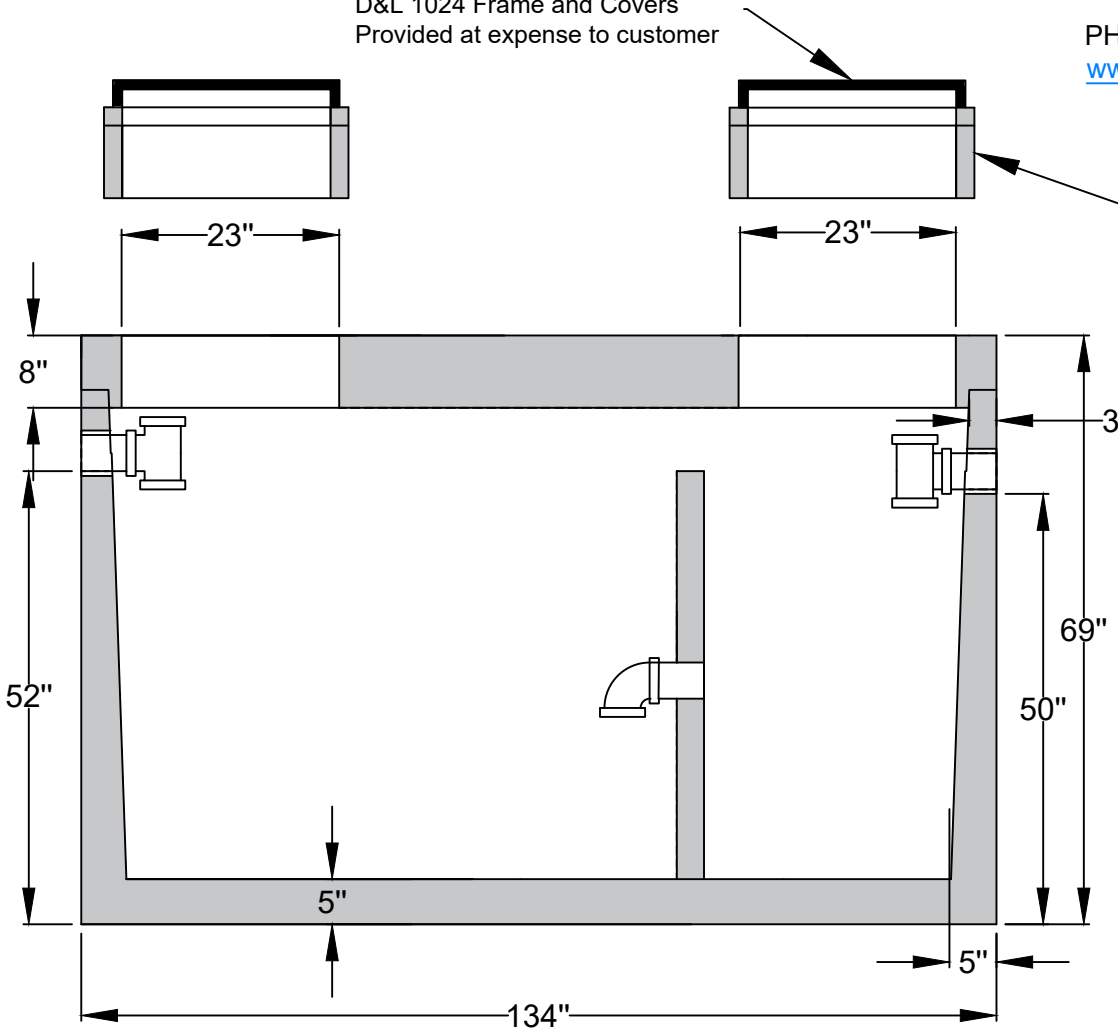


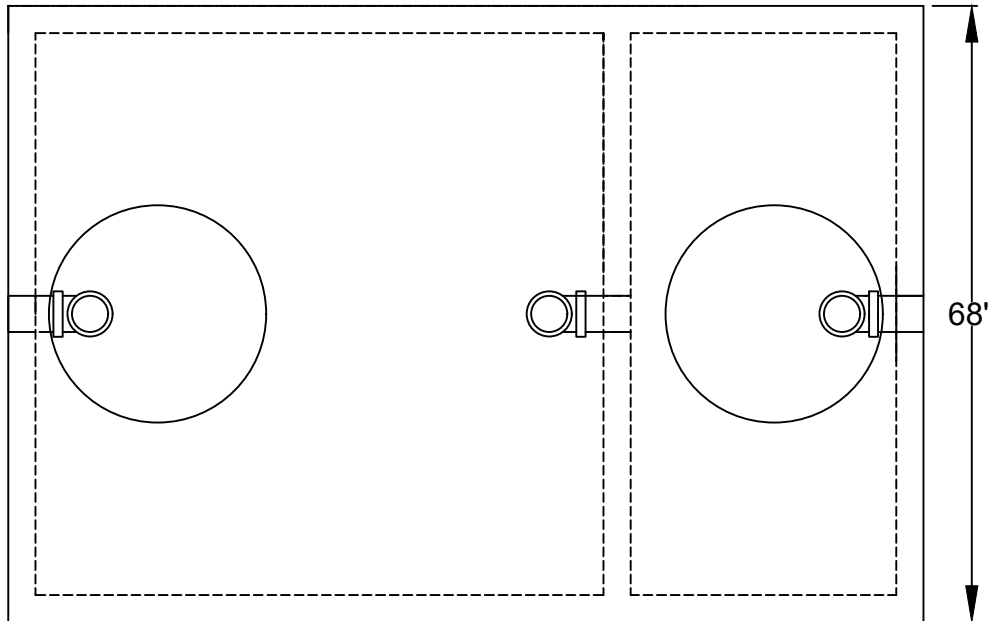
D&L 1024 Frame and Covers  
Provided at expense to customer

PHONE: 661-746-0466  
[www.codeprecast.com](http://www.codeprecast.com)

Customer to verify height.  
Following grade rings  
available upon request:  
CP24-2  
CP24-3  
CP24-4  
CP24-6 Larger heights  
available upon request.



Side View



Top View  
(covers removed)

**NOTES:**

1. Conforms to IAPMO standard Z1000-2013.
2. Polypok Pipe seals used for inlet and outlet penetrations.
3. Tank is H2O Rated.
4. 6' of maximum Earth Cover.
5. Provide bedding of 3/8" rock min of 4" thick for tank.
6. All measurements are in inches.

**MODEL NUMBER: 1500GST-T**  
**WEIGHT: 15,000lbs**

\* for more information, please contact Code Precast. Design subject to change.