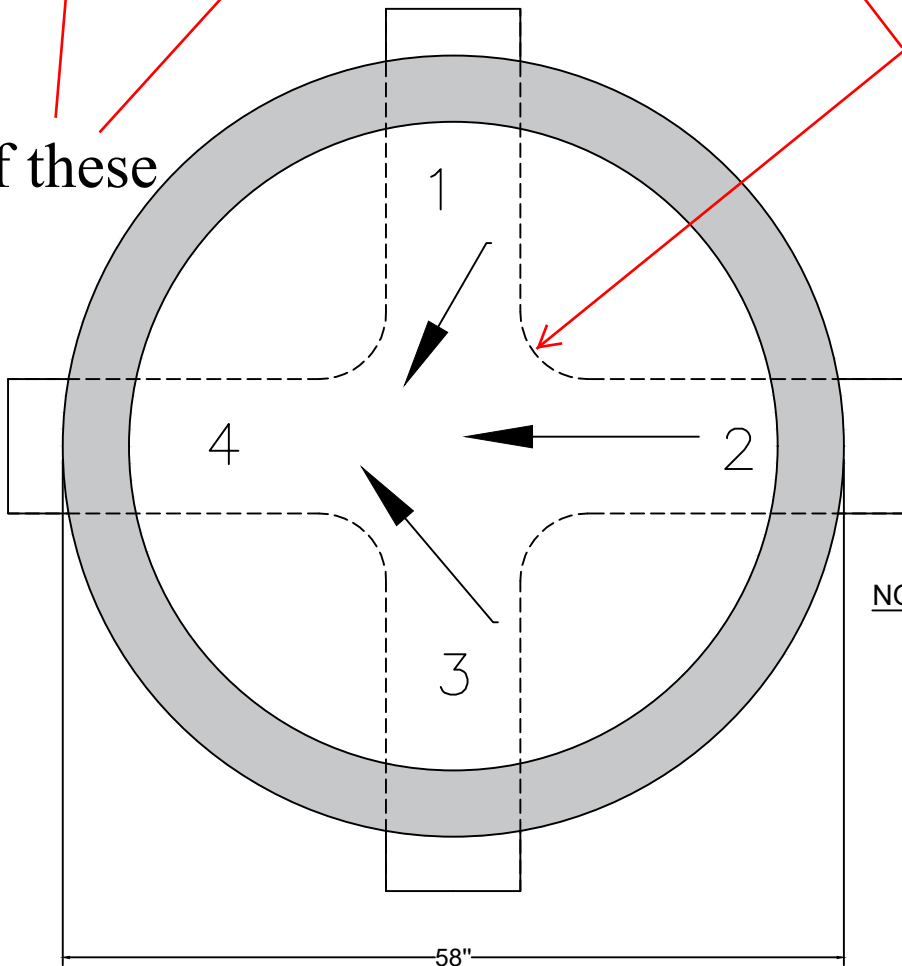


1 of these



See Note 8

Top view

NOTES:

1. Conforms to ASTM C478.
2. Concrete Strength: 4000 PSI at 28 days.
3. All measurements are in inches.
4. Max cored hole penetration is 36\".
5. Manhole base height varies by core hole size. Max core size is 32\".
6. Model number changes per penetration. (1-4)
7. Trelleborg pipe seals provided for pipe penetrations. See attached document.
8. Channels poured secondary at precast facility. If necessary
9. Epoxy lined available upon request.

MODEL NUMBER: CP4839MHB
WEIGHT: 5,000lbs

* for more information, please contact Code Precast. Design subject to change.